

TGLS3

Select LED Backlit Troffer

Product Description

The TGLS3 is a contractor grade Troffer that will exceed quality and performance for most commercial spaces. The TGLS3 LED Troffer features a pre-mounted driver and a maintenance-free, fully sealed chamber with seamless aluminum frame to keep bugs and dust out. The fixture utilizes a precision-engineered, textured diffuser to deliver maximum lumen output and optimal uniformity without revealing hot spots or shadowing. Provided with CCT and lumen output selectable options with the choice of 3500K, 4000K, or 5000K CCTs and low, medium, and high lumen output. It is also DLC 5.1 Standard certified, ensuring top of the line quality and performance. The TGLS3 is the perfect lighting solution for offices, hospitals, and other commercial spaces.

Construction

- Extruded aluminum frame with powder coat finish
- Durable stamped housing
- High efficiency, maintenance-free LED chamber
- Smooth formed sides for safe handling
- Increased junction box volume* with 7 wiring knockouts.

Optical System

- Patented internal optical system
- Precision engineered polystyrene diffuser
- High reflectivity internal coating
- No visible diodes, hot-spots, or shadows providing high uniformity, and reduced glare
- 80 CRI for good color definition in public places

Electrical

- Input voltage of 120-277VAC
- Dim-to-off dimming via 0-10VDC controls
- 12V accessory output to power sensors or other control items
- CCT and Wattage selector switches accessible on junction box
- Power factor > 0.98
- THD < 10%
- Luminaire surge protection level: designed to withstand up to 2.5kV ring wave per ANSI C82.77-5-2017 requirements for Indoor Hard-wired and Indoor Portable Luminaires
- Operating temperature range: 4°F to 104°F (-20° to 40°C)

Controls

- NLC (Network Lighting Controls) option available
- Bluetooth Low Energy (BLE) mesh network providing Luminaire Level Lighting Control
- Luminaire integrated BLE PIR/Daylight sensor (N1) available
- Configurable with the NICOR NLC app available on iOS and Android devices
- Provides full dimming control with occupancy and daylight harvesting functions

Mounting and installation

- Single cover plate with access to both line and low voltage connections
- Emergency battery backup available
- Integral grid tie clips with wire holes provided for seismic requirements
- Surface mount installation with an optional adapter
- Drywall installation with an optional adaptor
- For installations where power surge may be possible, NICOR recommends installing additional surge protection at the fixture or electrical distribution panel

Listings

- cETLus 1598 Listed for damp locations
- Certified for direct contact with insulation (IC)
- RoHS Compliant
- DLC 5.1 Listing
- Meets FCC Part 15, Subpart B, Class A standards for conducted and radiated emissions
- TM-21 Reported L70(9k) life >54,000 hours
- LM-79, LM-80 testing performed in accordance with IESNA standards

Warranty

- 5-year limited system warranty standard
- Warranty does not cover product failure due to an overvoltage event (power surge.)

* vs. previous TGL models

Project

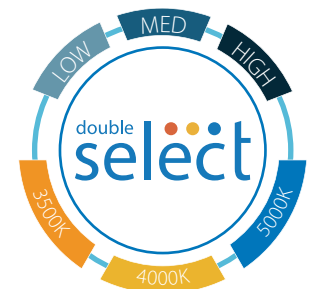
Catalog

Type

Date



TGLS3 LED Backlit Troffer 1x4, 2x2, 2x4 Selectable Wattage & CCT




TGLS3

Select LED Backlit Troffer

Ordering

Ordering Information					Example: TGLS322U
Series	Version	Size	Voltage	Controls	EM (Optional)
TGLS	3	14 (1 x 4)	U (120-277V)	Blank (none)	Blank (none)
		22 (2 x 2)		N1 (NLC Controls)	E1 (EMB045)
		24 (2 x 4)			E2 (EMB080)

Specifications and dimensions subject to change without notice.

Accessories		Recommended Dimmers*		NLC Controls	
Surface Mount Kit - 1x4	SK14M10WH	Lutron NTSTV		See www.nicorlighting.com/network-lighting-controls for more information and NLC Component Data Sheets	
Flange Kit - 1x4	TPE10FK14	Lutron DVSTV			
Surface Mount Kit - 2x2	SK22M10WH	Cooper SF10P			
Flange Kit - 2x2	TPE10FK22	Legrand RH4FBL3PW			
Surface Mount Kit - 2x4	SK24M10WH				
Flange Kit - 2x4	TPE10FK24				

*Not a complete list.
Check compatibility before installation.

Photometric Data

Model	Output Setting	Performance Data				Emergency Pack Performance Data	
		Nominal CCT	Lumens	Max Watts	Efficiency	E1 Lumens	E2 Lumens
TGLS314U	Standard	3500	2180	19.8	110.1	495	881
		4000	2257		114.0	513	912
		5000	2148		108.5	488	868
	Medium	3500	3293	29.9	110.1	496	881
		4000	3408		114.0	513	912
		5000	3243		108.5	488	868
	High	3500	4449	40.2	110.7	498	885
		4000	4605		114.6	515	916
		5000	4382		109.0	491	872
TGLS322U	Standard	3500	2178	19.6	111.1	500	889
		4000	2289		116.8	526	934
		5000	2258		115.2	518	922
	Medium	3500	3311	29.8	111.1	500	889
		4000	3480		116.8	526	934
		5000	3433		115.2	518	922
	High	3500	4444	40.0	111.1	500	889
		4000	4671		116.8	525	934
		5000	4608		115.2	518	922
TGLS324U	Standard	3500	3506	30.5	115.0	517	920
		4000	3847		126.1	568	1009
		5000	3718		121.9	549	975
	Medium	3500	4701	40.9	114.9	517	920
		4000	5158		126.1	568	1009
		5000	4985		121.9	548	975
	High	3500	5483	47.7	114.9	517	920
		4000	6016		126.1	568	1009
		5000	5814		121.9	548	975



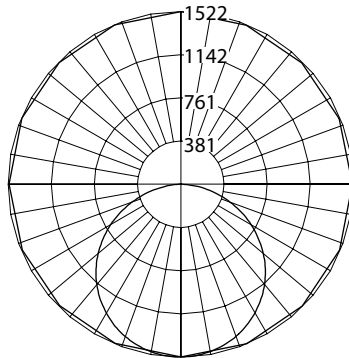
TGLS3

Select LED Backlit Troffer

Photometric Data

TGLS314 3500K High Output

Input Voltage (VAC)	120-277
System Level Power (W)	40.2
Delivered Lumens (Lm)	4448
System Efficacy (Lm/W)	110.6
Correlated Color Temp (K)	3520
Color Rendering Index (CRI)	82.5
Beam Angle (0)	114.3
Beam Angle (90)	112.2
Spacing Criteria (0)	1.26
Spacing Criteria (90)	1.28

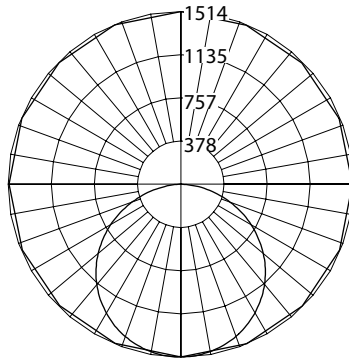


Cone of Light Tabulation		
Mounted height (Feet)	Footcandles Beam Center	Diameter (Feet)
8	23.8	24.8
10	15.2	31.0
12	10.5	37.2
14	7.7	43.4

Data Multiplier			
TGLS322U			
	35K	40K	50K
Low	0.490	0.507	0.483
Med	0.740	0.766	0.729
High	1.000	1.035	0.985

TGLS322 3500K High Output

Input Voltage (VAC)	120-277
System Level Power (W)	40.0
Delivered Lumens (Lm)	4444
System Efficacy (Lm/W)	111.1
Correlated Color Temp (K)	3494
Color Rendering Index (CRI)	83
Beam Angle (0)	114.3
Beam Angle (90)	113.6
Spacing Criteria (0)	1.28
Spacing Criteria (90)	1.28

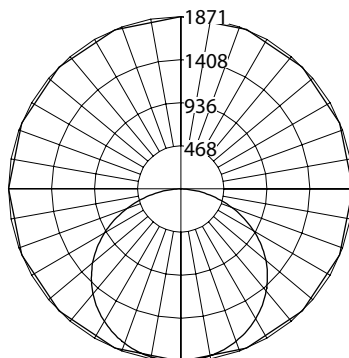


Cone of Light Tabulation		
Mounted height (Feet)	Footcandles Beam Center	Diameter (Feet)
8	23.6	24.8
10	15.1	31.0
12	10.5	37.2
14	7.7	43.4

Data Multiplier			
TGLS322U			
	35K	40K	50K
Low	0.490	0.515	0.508
Med	0.745	0.783	0.773
High	1.000	1.051	1.037

TGLS324 3500K High Output

Input Voltage (VAC)	120-277
System Level Power (W)	47.7
Delivered Lumens (Lm)	5483
System Efficacy (Lm/W)	115.0
Correlated Color Temp (K)	3478
Color Rendering Index (CRI)	83
Beam Angle (0)	114.5
Beam Angle (90)	112.9
Spacing Criteria (0)	1.28
Spacing Criteria (90)	1.28



Cone of Light Tabulation		
Mounted height (Feet)	Footcandles Beam Center	Diameter (Feet)
8	29.1	24.9
10	18.6	31.1
12	12.9	37.3
14	9.5	43.5

Data Multiplier			
TGLS324U			
	35K	40K	50K
Low	0.639	0.702	0.678
Med	0.857	0.941	0.909
High	1.000	1.097	1.060

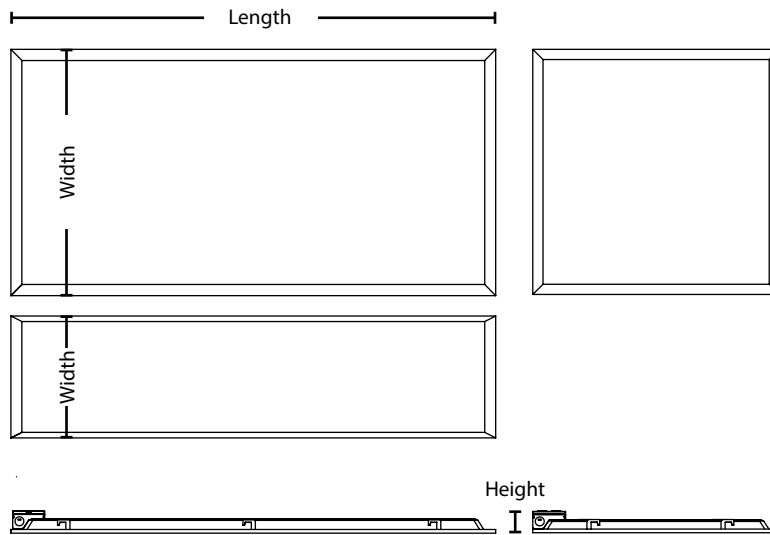
Fixture tested per LM-79-08. Photometric data is of the performance of a representative fixture. Results may vary in the field.

TGLS3

Select LED Backlit Troffer

Dimensions

	TGLS314U	TGLS322U	TGLS324U
Length	47.75" (1213mm)	23.74" (603mm)	47.75" (1213mm)
Width	11.89" (302mm)	23.74" (603mm)	23.74" (603mm)
Height	1.6" (56mm)		



This device complies with part 15 of the FCC Rules. Operation is subject to the following two conditions: (1) This device may not cause harmful interference, and (2) this device must accept any interference received, including interference that may cause undesired operation.

NOTE: This equipment has been tested and found to comply with the limits for a Class A digital device, pursuant to part 15 of the FCC Rules. These limits are designed to provide reasonable protection against harmful interference when the equipment is operated in a commercial environment. This equipment generates, uses, and can radiate radio frequency energy and, if not installed and used in accordance with the instruction manual, may cause harmful interference to radio communications. Operation of this equipment in a residential area is likely to cause harmful interference in which case the user will be required to correct the interference at his own expense.

Specifications and dimensions subject to change without notice.